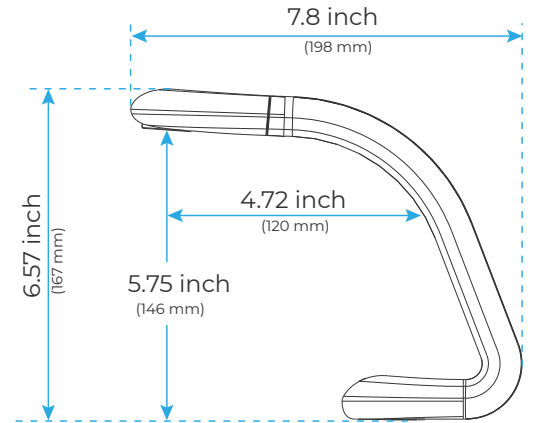
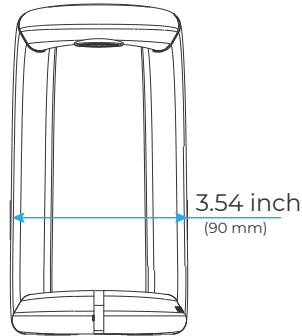


## COMMERCIAL AUTOMATIC SENSOR HANDS FREE FAUCET SPECIFICATIONS



### Size



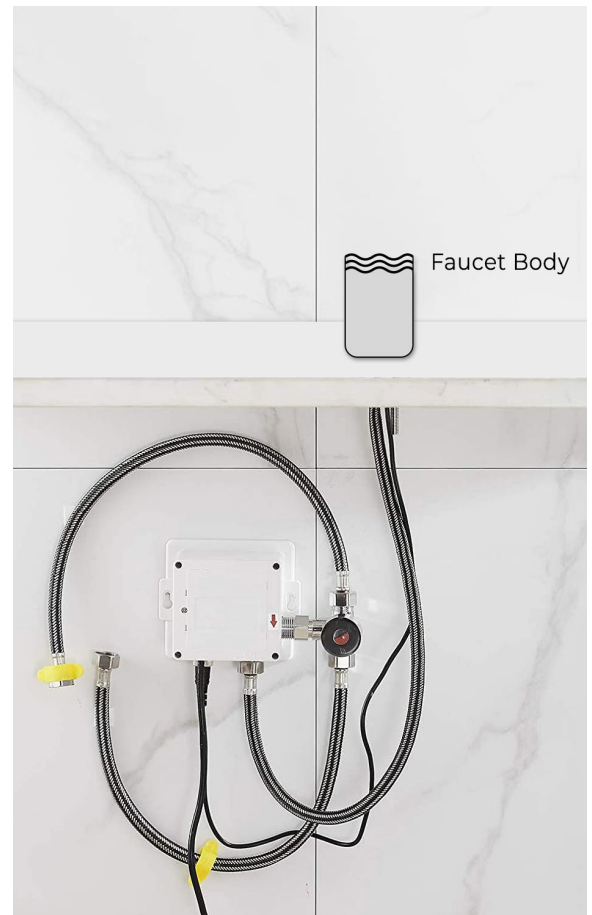
### Specs

Material : Brass Body+Zinc Handle  
Aerator : Neoperl aerator  
Surface : Chrome  
Flow rate : 8.3L/min @ 0.3 MPa  
Valve Element : Sedal 35mm ceramic cartridge  
Accessories : 450mm M10-G1/2 SS hose 2pcs

### FEATURES

Commercial Grade Faucet, ADA Compliant, Cast Brass Spout, Quick Connect Fittings, Integrated Water Shut-off, Hygienic Line Flush, Water Usage and Battery Strength Reporting, Self-adapting Sensor

### Overview



All dimensions and specifications are nominal and may vary. Use actual products for accuracy in critical situations.